

Focus**Electronic basin mixer with temperature pre-adjustment mains connection 230 V**Surfaces: **Chrome** Article Number: **31174000****Description****product features**

- ComfortZone 130
- projection 127 mm
- flow rate at 3 bar: 5 l/min
- theft-proof aerator
- temperature limitation adjustable
- temperature pre-adjustable
- non-return valve
- suitable for continuous flow water heaters
- infrared sensor technology
- automatic environmental adjustment of infrared sensor
- adjustable optical range of infrared sensor (2 settings)
- 230 V / 50 Hz mains connection
- hygiene rinse activatable (automatic water flow for 10 seconds every 24 hours following the last operation)
- permanent rinse activatable (single water flow for 180 seconds, suitable for thermal disinfection)
- manual water stop for washbasin cleaning
- performance may be impaired if the sensor is obscured by the design of the wash basin, or when the wash basin is oversized and the distance between sensor and the wash basin edge is larger than 75 mm
- functional restriction due to too large distance
- connection dimension: DN15
- TÜV certified
- dirt filters in the connection hoses
- two filter units with fine filter to protect from incoming dirt, for assembly on existing angle valves, filter element can be removed and cleaned
- P-IX 19699/IO
- Watermark Mixers WMKA 0149
- ETA VA 1.41/20059
- ACS 18 ACC NY 332, valide jusqu'au 13.09.2023
- NF_375-M1-18-5
- SVGW 1603-6494
- SINTEF 1746

Technology**Design awards**

reddot design award

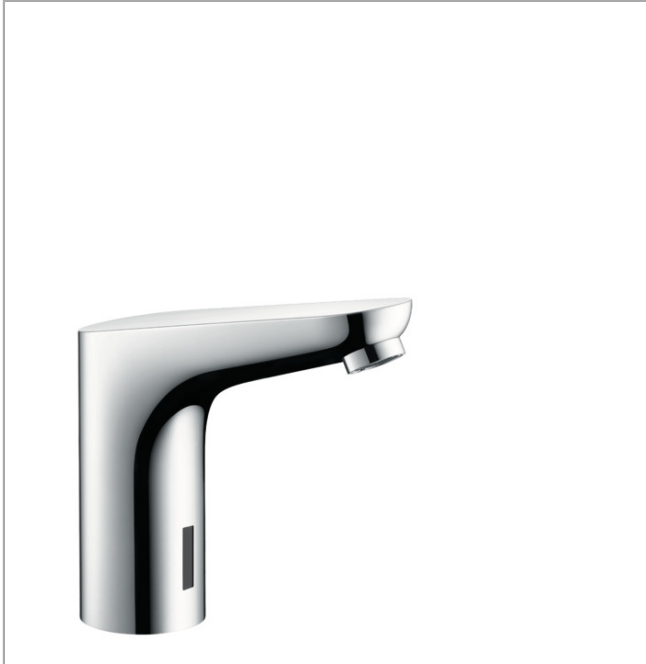
Focus

Electronic basin mixer with temperature pre-adjustment mains connection 230 V

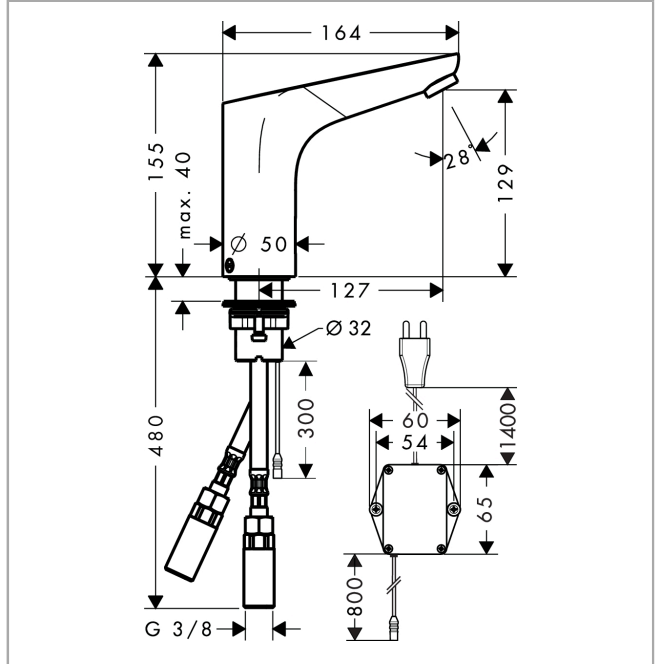
Surfaces: **Chrome** Article Number: **31174000**



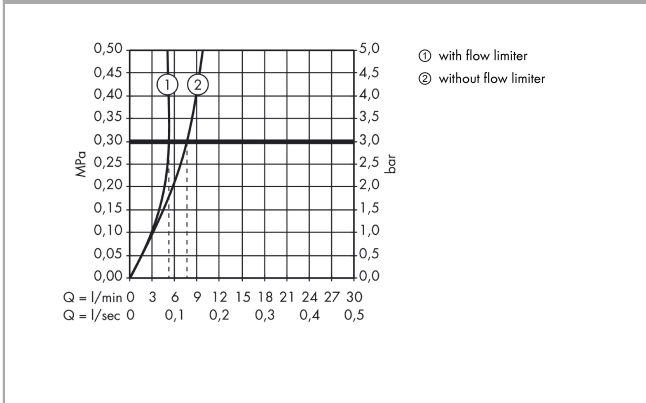
Product image



Scale drawing



Flowchart



Focus

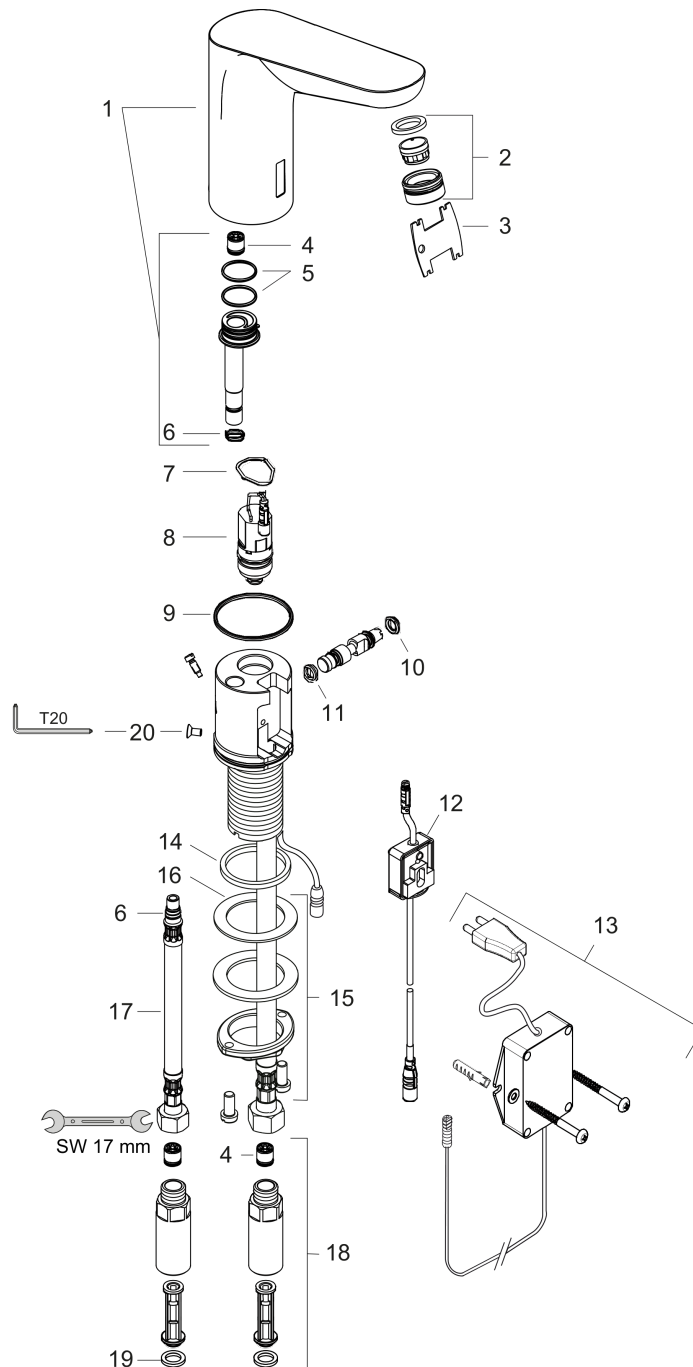
Electronic basin mixer with temperature pre-adjustment mains connection 230 V

Surfaces: **Chrome** Article Number: **31174000**



Exploded Drawing

Year of production: >02/16



Focus

Electronic basin mixer with temperature pre-adjustment mains connection 230 V

Surfaces: **Chrome** Article Number: **31174000**



Spare part list

Year of production: >02/16

Pos.	Description	Article Number	PC	PU
1	mixer-hood	92310000	19	1
2	aerator M24x1 (5 l/min)	98802000	10	1
3	service tool	98808000	5	1
4	non return valve DW 10	96456000	3	1
5	O-ring 18x1,5	98231000	1	1
6	O-ring 7x1,5	98422000	1	1
7	O-ring 17x2	98199000	1	1
8	solenoid valve	95654000	16	1
9	O-ring 41x2	98212000	1	1
10	O-ring 6x2	98458000	1	1
11	O-ring 5x2	98215000	1	1
12	electronics	92346000	16	1
13	transformer	98800000	16	1
14	flat seal	98749000	2	1
15	fixing set (Ø 32)	13961000	7	1
16	lever collar	97548000	1	1
17	connection hose 450 mm	92345000	8	1
18	back flow preventor cartridge with microfilter	92297000	13	1
19	sealing set	95581000	2	1
20	screw	93272000	1	1
a	fixation extension 35 mm	13898000	12	1